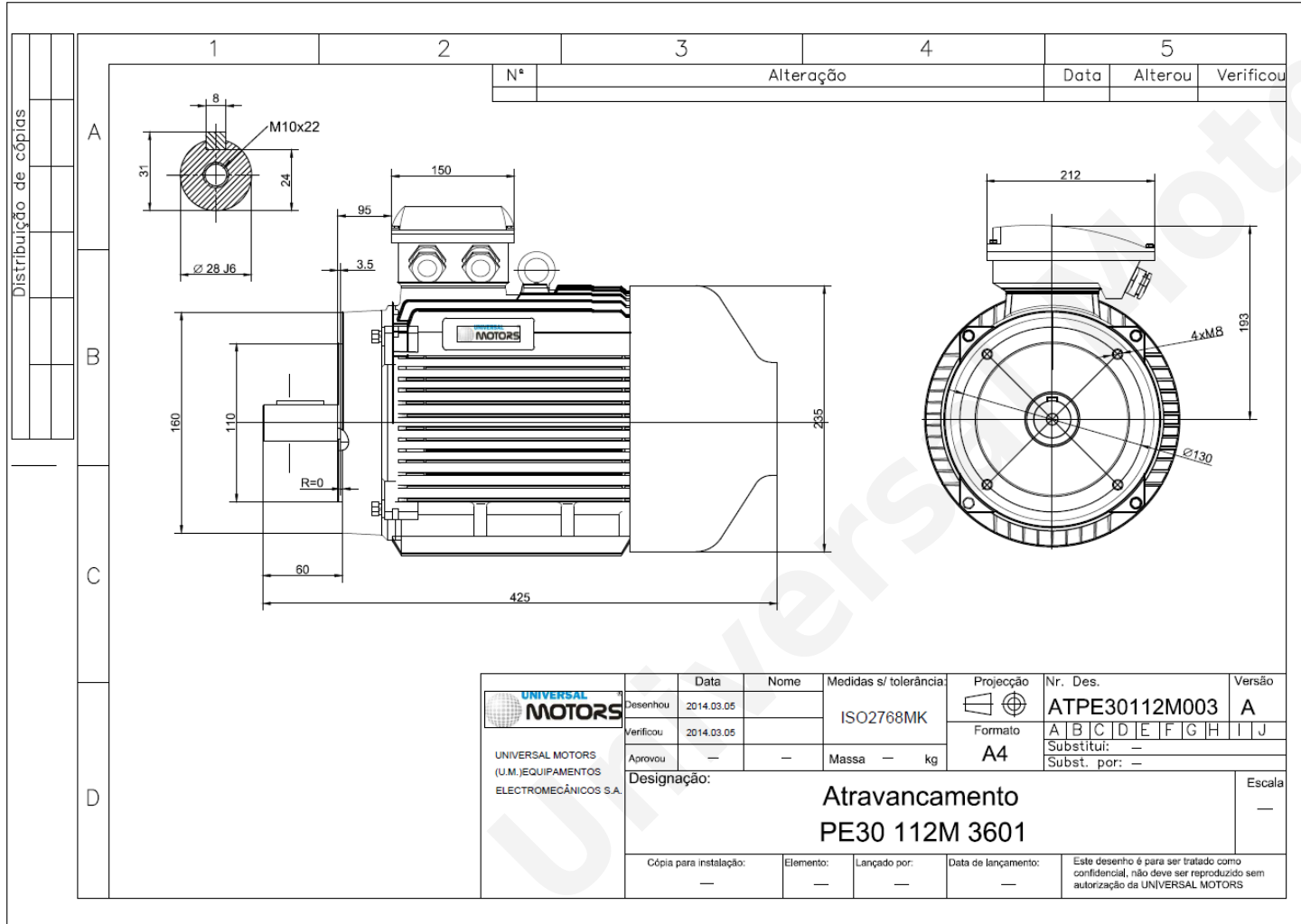


TECHNICAL DATA

Three Phase Electric Motors - Cast Iron Frame
 PE30 112 M 2 IE3
 4 kW / 5.5 Cv
 2910 RPM



Motor type:	PE30 112 M 2 IE3
Output:	4 kW / 5.5 Cv
Speed (min ⁻¹):	2910 RPM
Frequency:	50 Hz
Voltage:	400 V
Current:	7.5 A
Power factor (Cos Ø):	0.88
Poles:	2
Insulation class:	F
Temperature rise Class:	B
Efficiency 50%:	87.4 %
Efficiency 75%:	88.6 %
Efficiency 100%:	88.2 %
Torque:	13 N.m
Tstarting/Tnominal:	2.2
Istarting/Inominal:	8.3
Tmaximum/Tnominal:	2.3
Noise:	77 Db(A)
Weight:	50 Kg
Bearing DE:	6306 2Z C3
Bearing NDE:	6206 2Z C3

Regime - S1

Altitude - 1000m

Environment Temperature - 40°C

CONTACTS:

UNIVERSAL MOTORS Tel: +351 252 299 080
 Rua de São Brás,745 Fax: +351 252 299 089
 4480-782 VILA DO CONDE Mail: geral@universalmotors.pt

* References applied only in the UK